



500 series
carousel machines

500 series

The 500 Series from TREPKO is designed around a carousel principle for handling pre-formed containers and provides a medium to high speed production output.

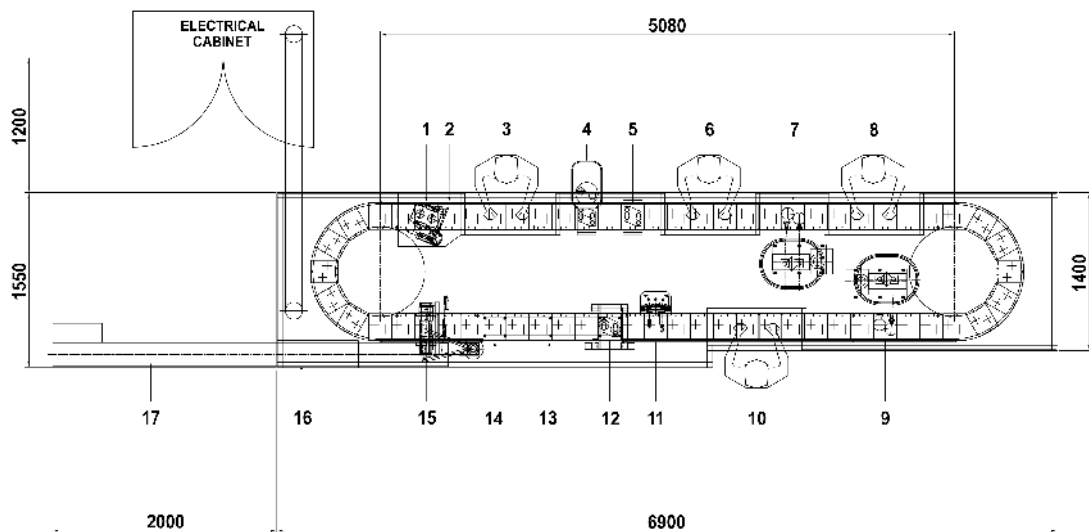
The flexible nature of the 500 Series allows for a variable machine length to suit the specified product. This flexibility permits a choice of several multi-fill applications with additional depositors for liquid, semi-liquid, dry products or simple hand placement areas. Different closing options are also available such as pre-cut foil, foil from reel & snap-on lids.

The carousel machines from TREPKO rely on a fully stainless steel construction which is combined with modern drive systems for a smooth and reliable operation. TREPKO also offers extra hygienic features CIP & SIP cleaning of both the dosing and/or packaging areas, in addition to an ULTRACLEAN version of the machine. Special efficiency support features, like magazine buffers for cups and lids are available to aid the operator and ensure reliable production levels.

The 500 Series machines are available in a single or twin lane format. The high adaptability levels of these machines is also reflected in a quick and easy changeover between different packaging sizes.



Design Example



- | | | | |
|---------------------|---------------------|-----------------------|---------------------------------|
| 1. Cup Dispenser | 5. Crumb Tamp | 9. Toppings Depositor | 13. Date Coder |
| 2. Cup Detect | 6. Hand Placement 2 | 10. Hand Placement 4 | 14. Free space for Lid Dispense |
| 3. Hand Placement 1 | 7. Batter Depositor | 11. Foil Dispense | 15. Eject Lift & Sweep |
| 4. Crumb Feeder | 8. Hand Placement 3 | 12. Heat Seal | 16. Operator Control Panel/HMI |
| | | | 17. Eject Conveyor |

Options

PACKAGING HYGIENE

Sterile Air Cabin
 Chemical Sterilisation of Cups / Foils
 UV Radiation of Cups / Foils
 CIP/SIP of the Dosing System
 CIP/SIP of the Packaging Area
 Gas Flush

INDIVIDUAL APPLICATIONS

Pre or Post-Depositors
 Dry Product Fillers
 Compensator
 Marking
 Modem

EFFICIENCY

Stack Feeding Magazine for Cups / Lids
 Foil Sledge
 Automatic Volume Adjustment

CLOSING

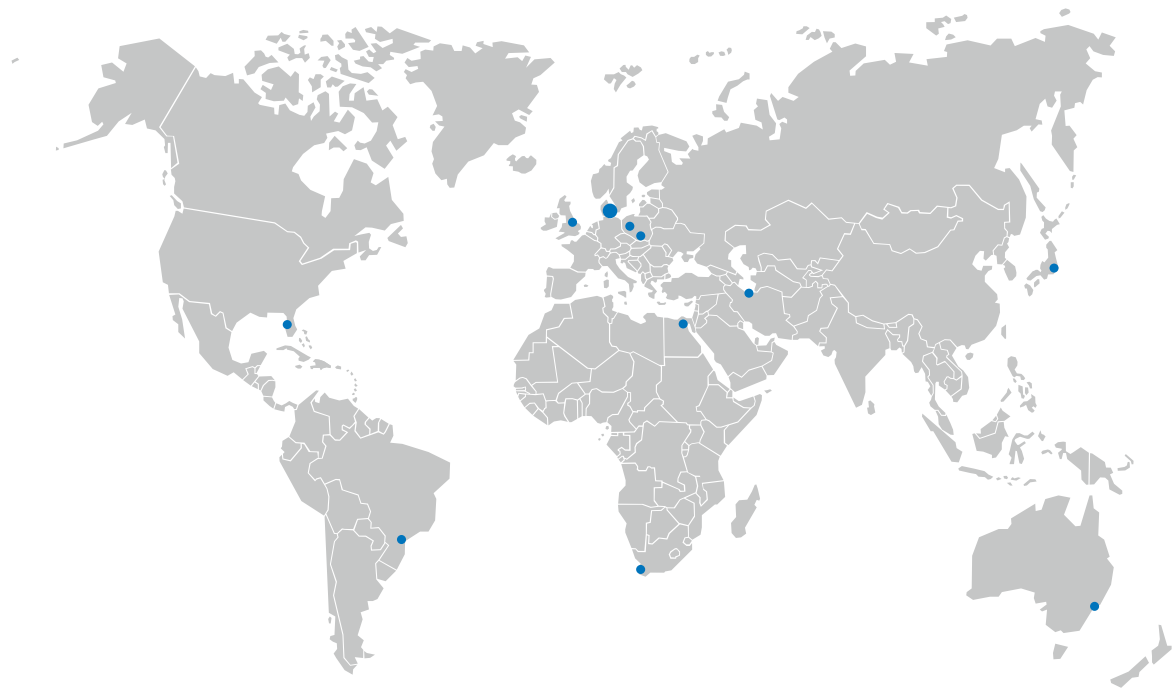
Pre Cut Foil Heat Seal
 Snap-on-Lid
 Foil from Reel

Specifications

• Machine Type	511	512
• Lanes	Single	Double
• Max. Cup Dimensions		
- Round (mm)	210	97
- Rectangular (mm)	180 x 180	100 x 60
- Depth (mm)		120
• Max. Output (cup/hr)	1800	3600
• Power Supply		3 x 400V + PE + N
• Compressed Air	30 m ³ /hr, 6 bar	36 m ³ /hr, 6 bar



Worldwide supplier  of filling/packaging machines



info@trepko.com

www.trepko.com