

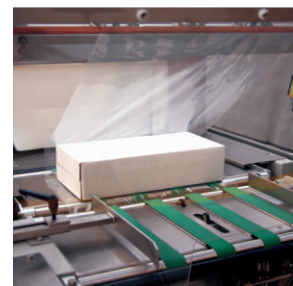
730

Trepko shrink wrappers are fully automatic, robustly constructed machines designed for the shrink wrapping of products with or without trays or alternatively on base boards.

The shrink wrappers are energy efficient and capable of continuous operation in a variety of conditions. Minimal maintenance is required on the machines, with all service parts easily & quickly accessible.

The shrink tunnel is rated either at a standard 8 kW or for higher speeds 14 kW. Two thirds of this heat can be thermostatically controlled. The machines are compatible with various types of shrink film and will operate with equal efficiency using low, medium or high density shrink film between 40-80 microns in thickness.

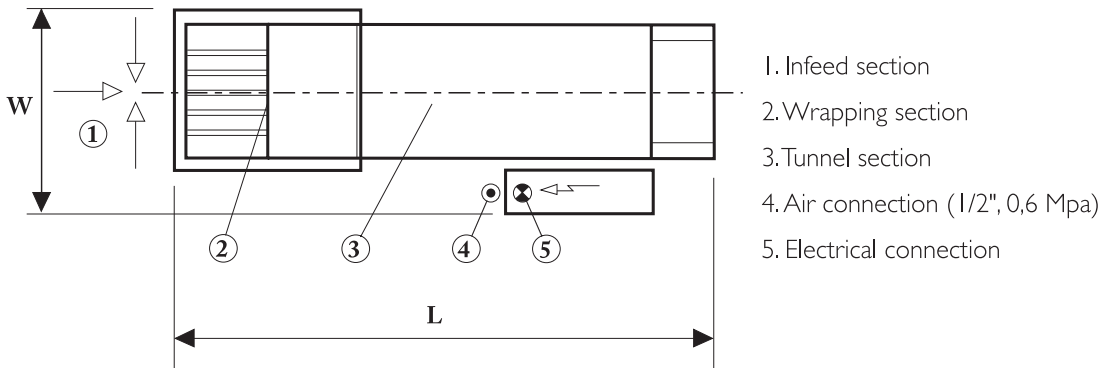
For improved flexibility and efficiency the machines can be equipped with accessories for perforation, film end indication, film loading etc.



730 series
shrink wrapper

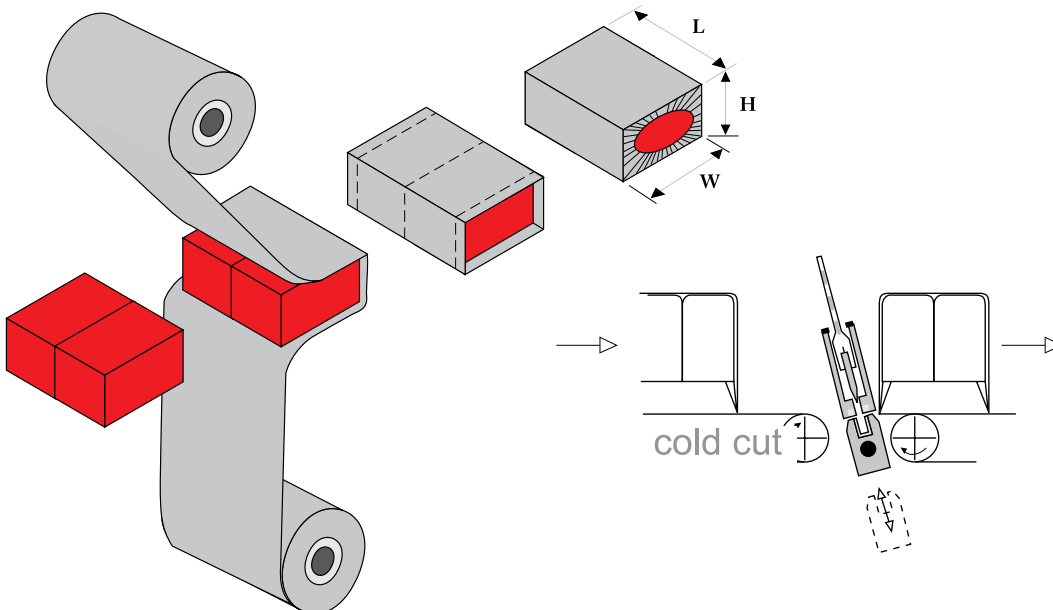
Trepko

Specifications



Model	Machine dimension (Excl in-feed section)			Capacity (Packs per minute)	Pack size		
	L	W	H		L	W	H
731	2680	1395	2200	Up to 15/minute	100-580	100-400	30-300 (350)
732	3680	1395	2200	Up to 25/minute	100-580	100-400	30-300 (350)

Capacity: Dependant on the pack size and film thickness being used
 Film Reels: max Ø 300x630 mm
 Thickness of Shrink Film : 40 - 80 µm
 Pack Weight: max 15 kg



Scandinavia & Western Europe

Trepko A/S
 Energivej 30
 2750 Ballerup
 Denmark
 Phone: +45 43 99 22 44
 Fax: +45 43 99 26 55

United Kingdom, Ireland, Australia and New Zealand

Trepko (UK) Limited
 Marshall Way
 Heapham Road Ind. Estate
 Gainsborough, Lincolnshire
 England, DN21 1GD
 United Kingdom
 Phone: +44 1427 612244
 Fax: +44 1427 617797

Central & Eastern Europe

Trepko Sp. z o.o.
 ul. Roosevelta 116
 62-200 Gniezno
 Poland
 Phone: +48 61 426 50 41
 Fax: +48 61 426 50 68

North & Latin America

Trepko Inc.
 Sunstate Centre
 4893 West Waters Ave
 Suite C-F
 Tampa, FL, 33634
 USA
 Phone: +1 813 443 0794

Sub-Saharan Africa

130 Jan van Riebeeck Drive
 Paarl, Western Cape, 7646
 South Africa
 Phone: +27 (0) 21 862 2192
 Fax: +27 (0) 21 862 4605

Middle East & North Africa

Trepko A/S - sales office
 P.O. Box 58
 Al-Andalus 11817 Cairo
 Egypt
 Mobile: +20 122 32 19 274

Brazil

Trepko do Brasil Ltda
 Rua Brasholanda, 240
 Pinhais, Paraná
 Brazil
 Zip code 83322-070
 Phone: +55 41 3513-5100
 Fax: +55 41 3513-5101